

## SP Premium Plus Series

SP Premium Plus is the advanced model suitable for outdoor design.

It can be operated in a harsh environment condition, such as high humidity / high temperature (up to 60°C).

Long life span and less maintenance.



Water & Dustproof



Parallel Operation



BMS Function



Wi-Fi

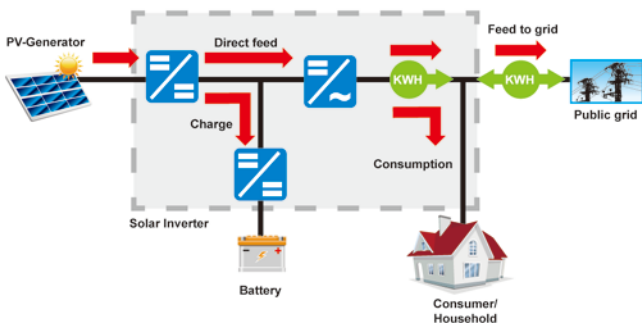


### Features

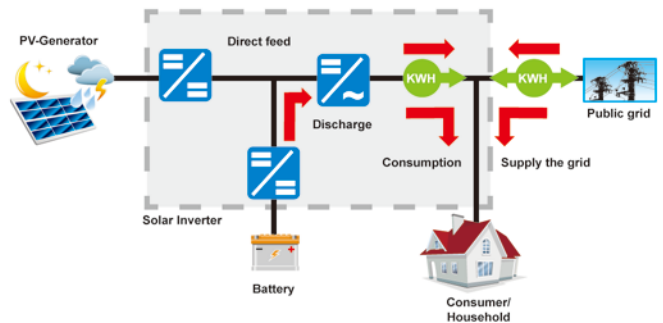
- IP65 outdoor design
- 150% unbalanced load support
- Dual output selected as programmable output or Generator input
- Programmable multiple operation modes: Grid-tie, off-grid and grid-tie with backup
- Built-in Wi-Fi for the APP monitoring
- Built-in BMS Function
- Maximum charging up to 80A adjustable
- Parallel operation up to 4 units

### Operation Diagram:

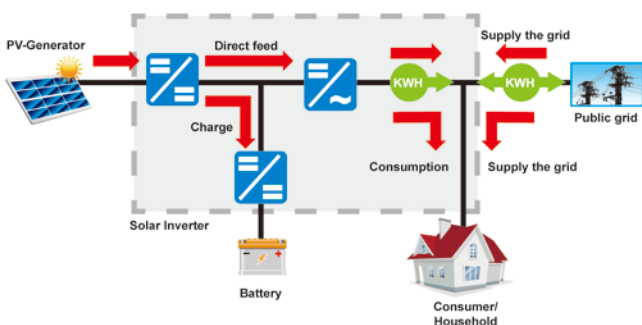
#### Enough PV Energy Input



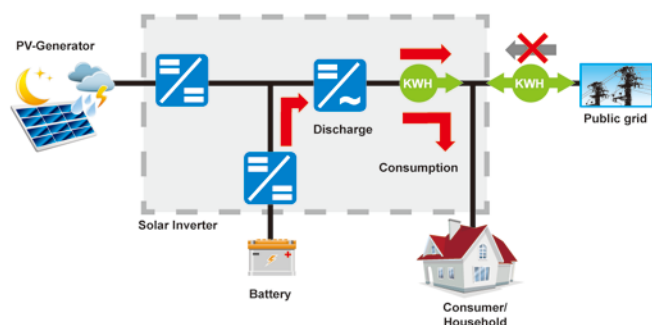
#### No PV energy and battery is fully discharged



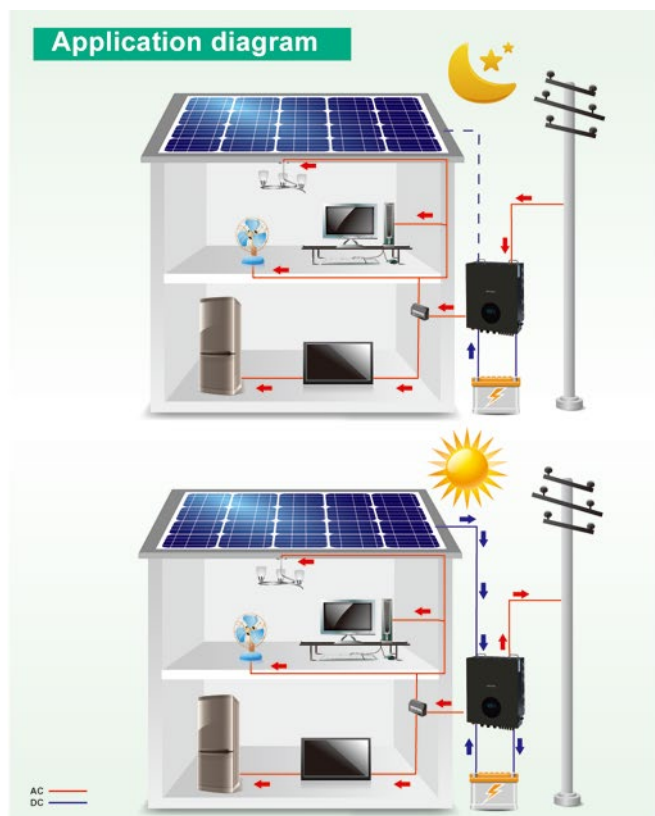
#### Household's consumption is higher than supply from PV



#### No PV energy, and the consumption from household is supplied by battery

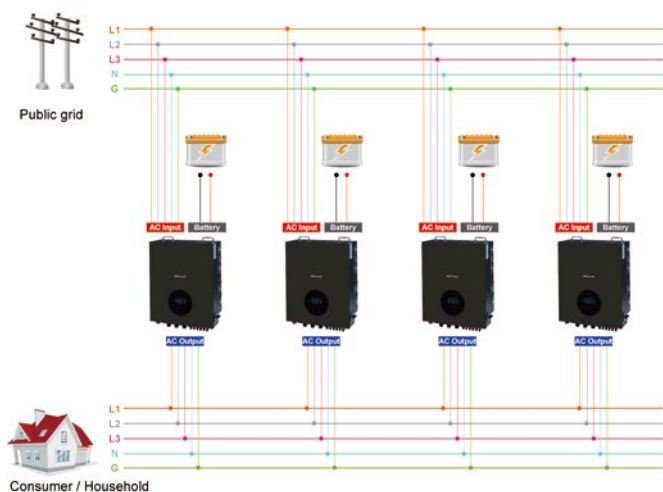


# SP Premium Plus Series



### Parallel Operation

Maximum up to 4pcs



### Specifications

MODEL	SP30KW Premium Plus
Rated Output Power	30KW
Maximum Charging Power	30KW
<b>PV INPUT (DC)</b>	
Maximum DC Power	40KW
Nominal DC Voltage/ Maximum DC Voltage	720 VDC / 1000 VDC
Start-up Voltage / Initial Feeding Voltage	320 VDC / 350 VDC
MPP Voltage Range	600-1000VDC
Number of MPP Trackers / Maximum Input Current	3 / 26A
<b>GRID OUTPUT (AC)</b>	
Nominal Output Voltage	230VAC* (P/N) / 400 VAC (P-P)
Output Voltage Range	184-265 VAC per phase
Output Frequency Range	47.5 ~ 51.5 Hz or 59.3 ~ 60.5 Hz
Nominal Output Current	43.5 A per phase
Power Factor	0.9 lag to 0.9 lead
<b>EFFICIENCY</b>	
Maximum Conversion Efficiency (DC/AC)	96.5%
<b>AC INPUT</b>	
AC Start-up Voltage / Auto Restart Voltage	120-140 VAC per phase / 180 VAC per phase
Acceptable Input Voltage Range	170-280 VAC per phase
Maximum AC Input Current	50 A per phase
<b>BATTERY MODE OUTPUT (AC)</b>	
Nominal Output Voltage	230VAC* (P/N) / 400 VAC (P-P)
Efficiency (DC to AC)	>96%
<b>BATTERY &amp; CHARGER</b>	
Nominal DC Voltage	300 VDC ~ 950 VDC (adjustable)
Maximum Charging Current	80A
<b>PHYSICAL</b>	
Dimension (D×W×H)	255 × 660 × 750 mm
Net Weight	73 kg
<b>INTERFACE</b>	
Communication Port	RS-232/USB
Intelligence Slot	Optional SNMP, GPRS, Wi-Fi, Modbus cards available
<b>ENVIRONMENT</b>	
Humidity	0 ~ 90% RH (Non-Condensing)
Operating Temperature	-10°C to 55°C
Altitude	0 ~ 1000 m**

\*\* Power derating 1% every 100m when altitude is higher than 1000m. Specifications are subject to change without notice.